

Manufacturer	FANCY PUMP(ZHEJIANG) Co., LTD
Address	Wanchang Road, Wenling City, Zhejiang
Contact	+86 13566667995
Date	2025/03/26
Client Name	
Client Addr.	
Contacts	
Contact	

Part NO.	CDM1-17
----------	---------

Product Picture: (Note: Images may not be the same as the product)

Note



CDM Vertical multistage stainless steel new generation, high efficiency pump, It referred to European standard, adopted entirely new industrial design, It is energy saving, low noise, environment friendly, compact design, beautiful shape, light weight, easy for service, high reliability.

**Nameplate parameters**

Rated flow(m <sup>3</sup> /h)	1
Rated head(m)	95
Rated power(kW)	1.1
Efficiency(%)	41
Speed(r/min)	2900
Impeller stages	17

**Material**

Pump body	SS304
Impeller	SS304
Diffuser	SS304
Motor bracket	HT250
Pump shaft	SS304
Mechanical seal	GN+WC+FKM
Motor case	ADC12
Stator&rotor	50W800
Bearing	GCr15
Wiring	Cu
Base	HT200

**Liquid**


Liquid temperature	-15~120°C
PH value of fluid	5~9
Fluid density	1×10 <sup>3</sup> kg/m <sup>3</sup>
Maximum ambient temperature (°C)	40°C
Pumping fluid	Clean water

**Motor**

Phase	3~ph
Protection grade	IP55
Insulation class	F
Motor power(kW)	1.1KW
Impeller rotation(viewed from motor)	Counterclockwise
Frequency(Hz)	50Hz
Rated voltage(V)	380
Motor efficiency rating	IE3
Motor pole	2

**Installation**

Interface type	F
----------------	---

 <b>FANCY</b> the pump of arts	<b>Product Information</b>  <b>CDM1-17</b>	Manufacturer	FANCY PUMP(ZHEJIANG) Co., LTD
		Address	Wanchang Road, Wenling City, Zhejiang
		Contact	+86 13566667995
		Date	2025/03/26
<b>Project Name</b>		Client Name	
		Client Addr.	
<b>Item NO</b>		Contacts	
		Contact	

**Installation**

Inlet	DN25
Outlet	DN25
Maximum working pressure(Mpa)	2.5Mpa
Flange standard	DIN

**Seal**

Mechanical seal specification	GF-12/WB1F14
Bearing brand	C&U
Bearing model	6204/6204

**Weight**

Total weight(kg)	35
------------------	----



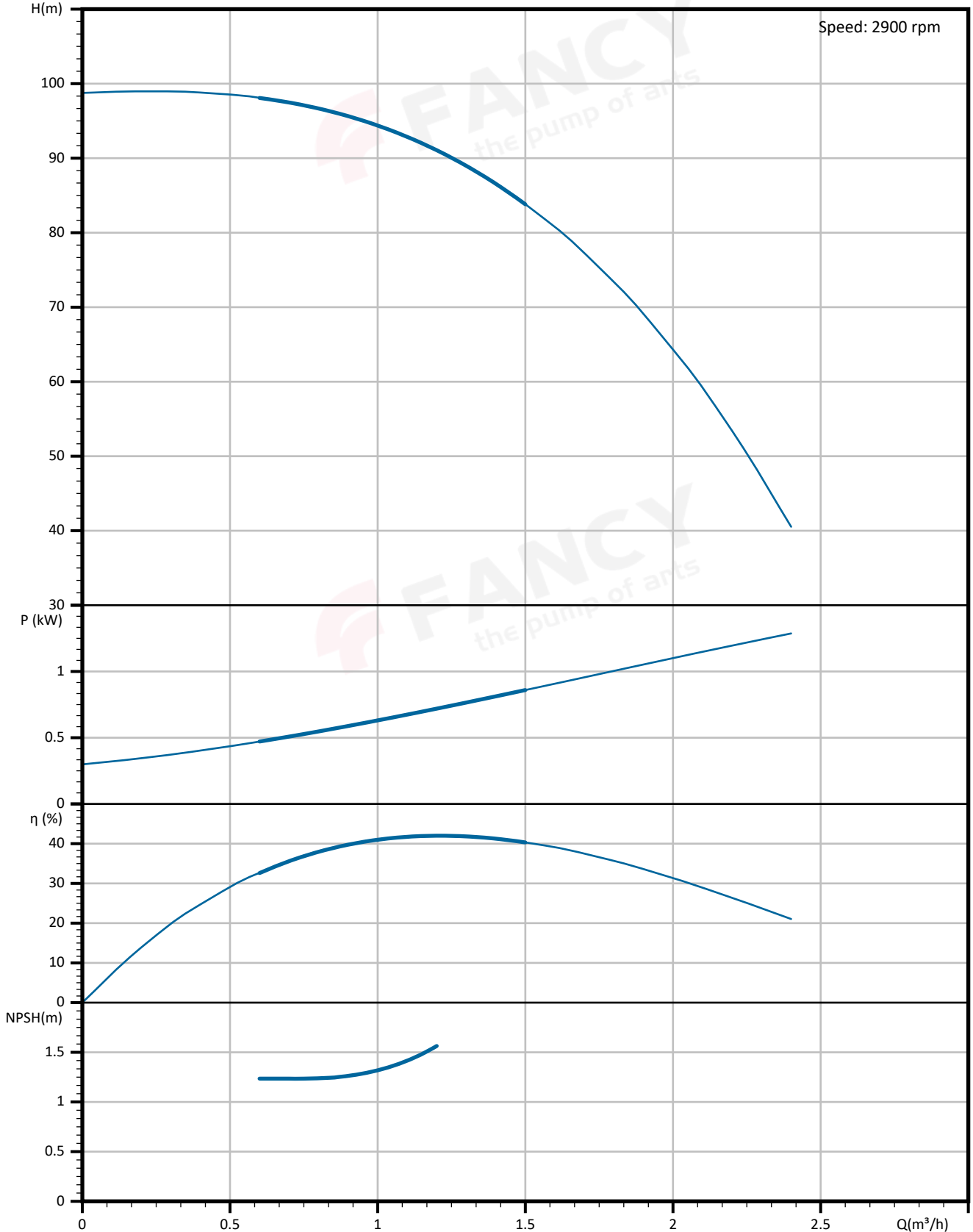
## Performance Curve

### CDM1-17

Manufacturer	FANCY PUMP(ZHEJIANG) Co., LTD
Address	Wanchang Road, Wenling City, Zhejiang
Contact	+86 13566667995
Date	2025/03/26
Client Name	
Client Addr.	
Contacts	
Contact	

Project Name	
Item NO	

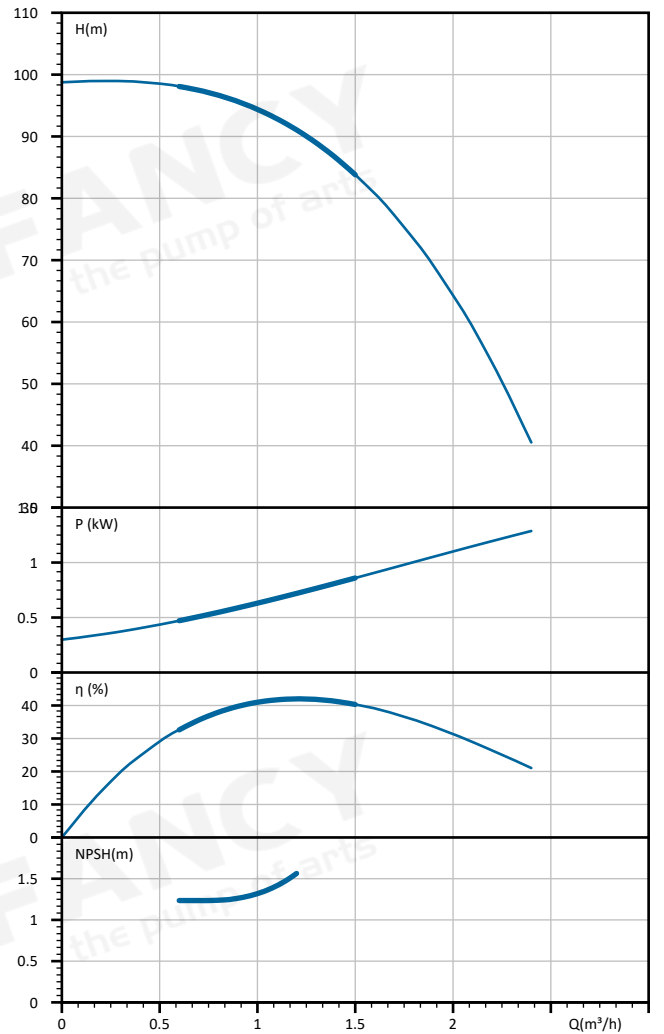
The hydraulic performance curve have been tested with Clean water at °C, density 1000kg/m<sup>3</sup>,and at 1bar atmospherical pressure. IS099062012 Grade 3B



Manufacturer	FANCY PUMP(ZHEJIANG) Co., LTD
Address	Wanchang Road, Wenling City, Zhejiang
Contact	+86 13566667995
Date	2025/03/26
Client Name	
Client Addr.	
Contacts	
Contact	

<b>Project Name</b>	
<b>Item NO</b>	

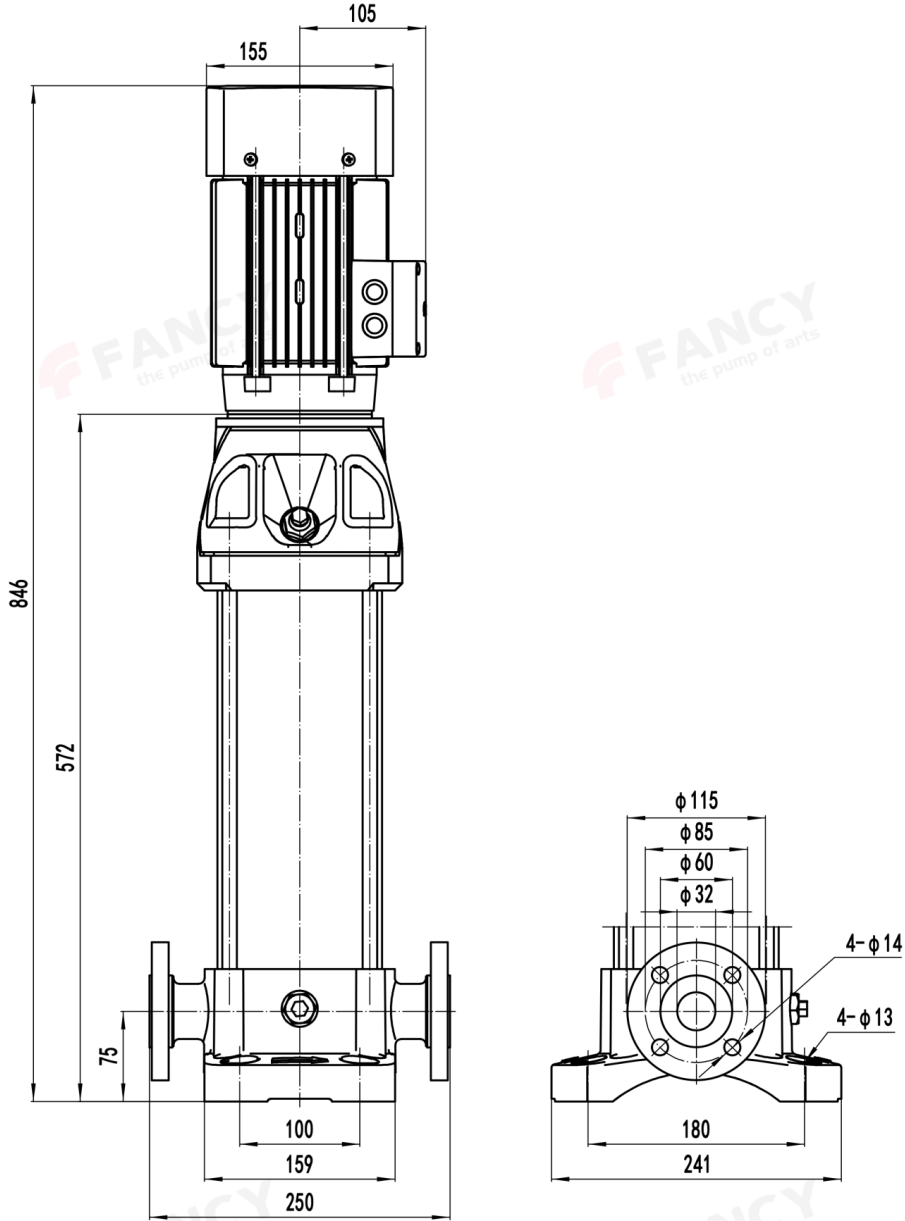
Rated parameters	
Pump model	CDM1-17
Part NO.	CDM1-17
Rated flow	1 m <sup>3</sup> /h
Rated head	95 m
Rated efficiency (%)	41
Power (kW)	0.61
NPSHr (m)	1.3
Speed (rpm)	2900
Max impeller diameter (mm)	74.5
<b>Medium</b>	
Pumped medium	Clean water
Working temperature (°C)	
Medium density (kg/m <sup>3</sup> )	1000
Viscosity (mm <sup>2</sup> /s)	1



Manufacturer	FANCY PUMP(ZHEJIANG) Co., LTD
Address	Wanchang Road, Wenling City, Zhejiang
Contact	+86 13566667995
Date	2025/03/26
Client Name	
Client Addr.	
Contacts	
Contact	

Project Name

Item NO

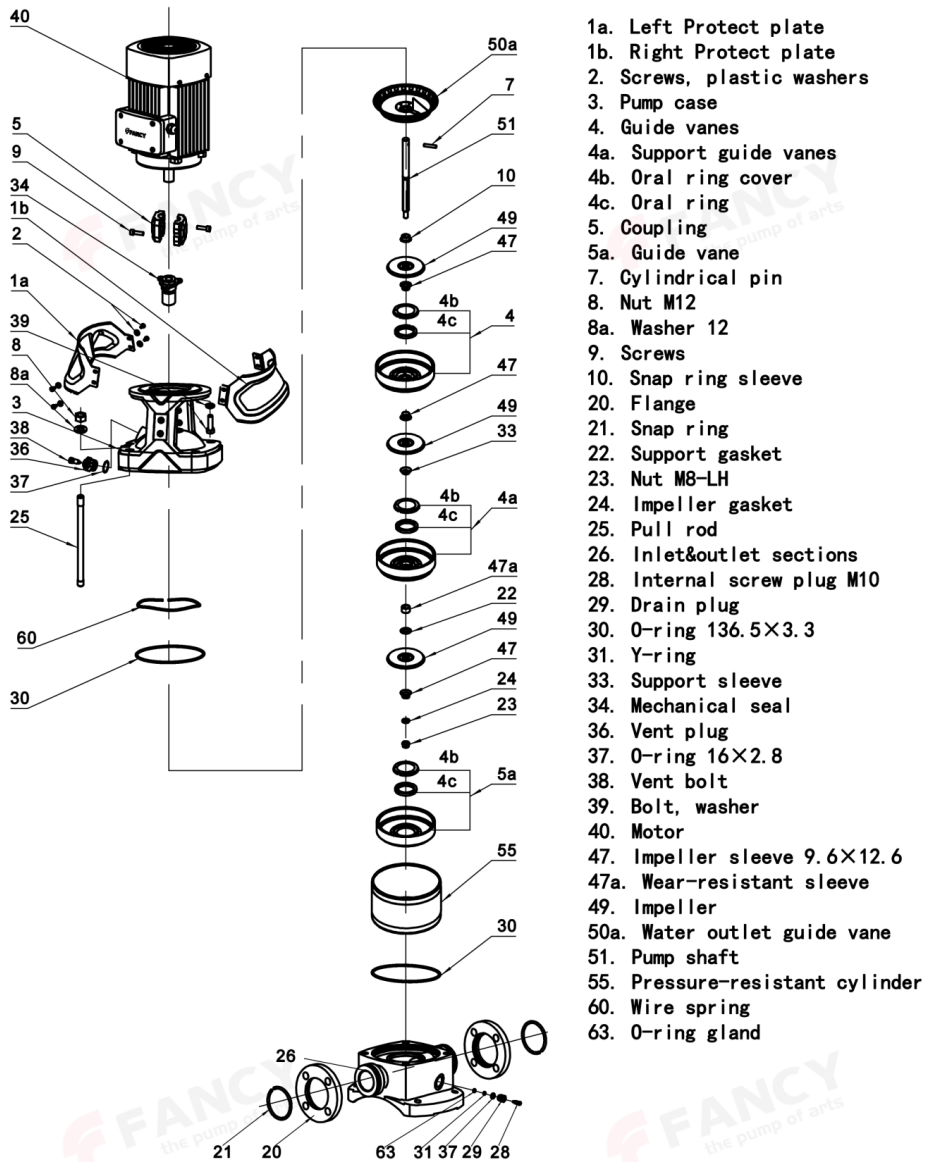


						<b>FANCY</b> the pump of arts		
						<b>Installation dimension</b> <b>Установочный размер</b>		
						<b>CDM1-17</b>		
Mark	Places	Section	Mod.file no.	Signature	yy/mm/dd	Stage mark	Weight	Scale
Design			Standard.					
Verify								
Craft			Approve			Total: 1 pages page: 1		

Manufacturer	FANCY PUMP(ZHEJIANG) Co., LTD
Address	Wanchang Road, Wenling City, Zhejiang
Contact	+86 13566667995
Date	2025/03/26
Client Name	
Client Addr.	
Contacts	
Contact	

Project Name

Item NO



CDM1, 3, 5

**Physical picture**  
**CDM1-17**

Manufacturer	FANCY PUMP(ZHEJIANG) Co., LTD
Address	Wanchang Road, Wenling City, Zhejiang
Contact	+86 13566667995
Date	2025/03/26
Client Name	
Client Addr.	
Contacts	
Contact	

**Project Name**

**Item NO**





**Order Data**  
**CDM1-17**

Manufacturer	FANCY PUMP(ZHEJIANG) Co., LTD
Address	Wanchang Road, Wenling City, Zhejiang
Contact	+86 13566667995
Date	2025/03/26
Client Name	
Client Addr.	
Contacts	
Contact	

**Project Name**

**Item NO**

Pump model            CDM1-17  
Part NO.                CDM1-17  
Product price  
Quantity                1  
Total price

