

Manufacturer	FANCY PUMP(ZHEJIANG) Co., LTD
Address	Wanchang Road, Wenling City, Zhejiang
Contact	+86 13566667995
Date	2025/03/26
Client Name	
Client Addr.	
Contacts	
Contact	

Part NO.	CDM5-27
----------	---------

Product Picture: (Note: Images may not be the same as the product)

Note



CDM Vertical multistage stainless steel new generation, high efficiency pump, It referred to European standard, adopted entirely new industrial design, It is energy saving, low noise, environment friendly, compact design, beautiful shape, light weight, easy for service, high reliability.

Nameplate parameters

Rated flow(m ³ /h)	5
Rated head(m)	168
Rated power(kW)	4
Efficiency(%)	69
Speed(r/min)	2900
Impeller stages	27

Material

Pump body	SS304
Impeller	SS304
Diffuser	SS304
Motor bracket	HT250
Pump shaft	SS304
Mechanical seal	GN+WC+FKM
Motor case	ADC12
Stator&rotor	50W800
Bearing	GCr15
Wiring	Cu
Base	HT200

Liquid

Liquid temperature	-15~120°C
PH value of fluid	5~9
Fluid density	1×10 ³ kg/m ³
Maximum ambient temperature (°C)	40°C
Pumping fluid	Clean water

Motor

Phase	3~ph
Protection grade	IP55
Insulation class	F
Motor power(kW)	4KW
Impeller rotation(viewed from motor)	Counterclockwise
Frequency(Hz)	50Hz
Rated voltage(V)	380
Motor efficiency rating	IE3
Motor pole	2

Installation

Interface type	F
----------------	---



Product Information
CDM5-27

Manufacturer	FANCY PUMP(ZHEJIANG) Co., LTD
Address	Wanchang Road, Wenling City, Zhejiang
Contact	+86 13566667995
Date	2025/03/26
Client Name	
Client Addr.	
Contacts	
Contact	

Project Name	
Item NO	

Installation

Inlet	DN32
Outlet	DN32
Maximum working pressure(Mpa)	2.5Mpa
Flange standard	DIN

Seal

Mechanical seal specification	GF-12/WB1F14
Bearing brand	C&U
Bearing model	6306/6306

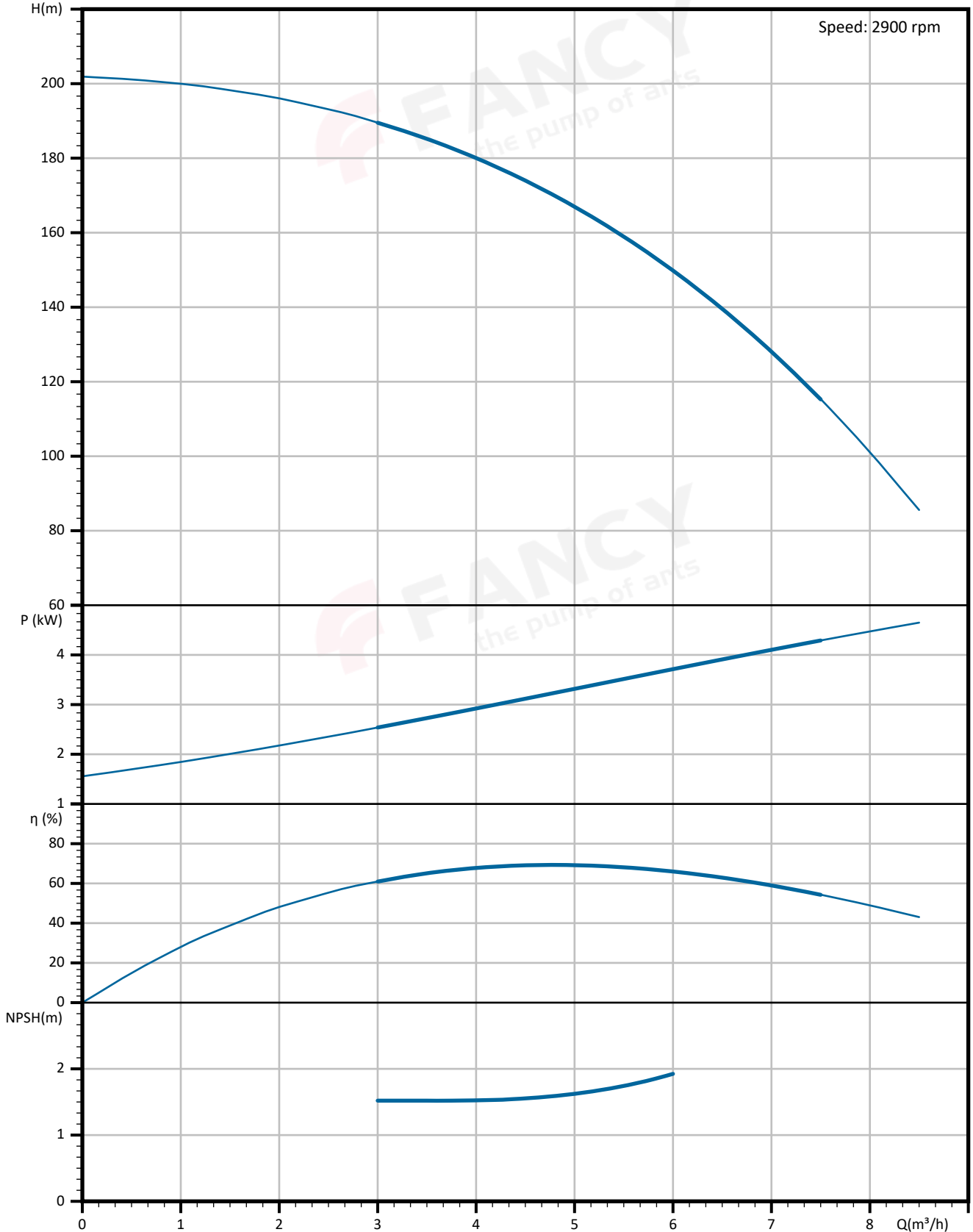
Weight

Total weight(kg)	67
------------------	----

Manufacturer	FANCY PUMP(ZHEJIANG) Co., LTD
Address	Wanchang Road, Wenling City, Zhejiang
Contact	+86 13566667995
Date	2025/03/26
Client Name	
Client Addr.	
Contacts	
Contact	

Project Name	
Item NO	

The hydraulic performance curve have been tested with Clean water at °C, density 1000kg/m³,and at 1bar atmospherical pressure. IS099062012 Grade 3B





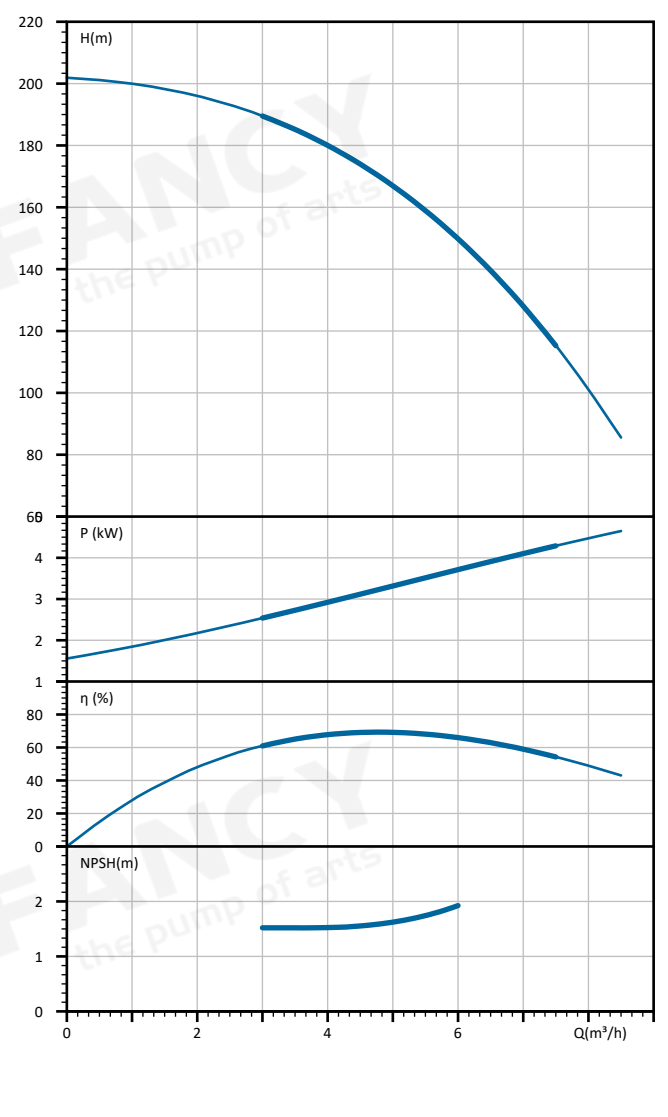
Pump Technical Parameters

CDM5-27

Manufacturer	FANCY PUMP(ZHEJIANG) Co., LTD
Address	Wanchang Road, Wenling City, Zhejiang
Contact	+86 13566667995
Date	2025/03/26
Client Name	
Client Addr.	
Contacts	
Contact	

Project Name	
Item NO	

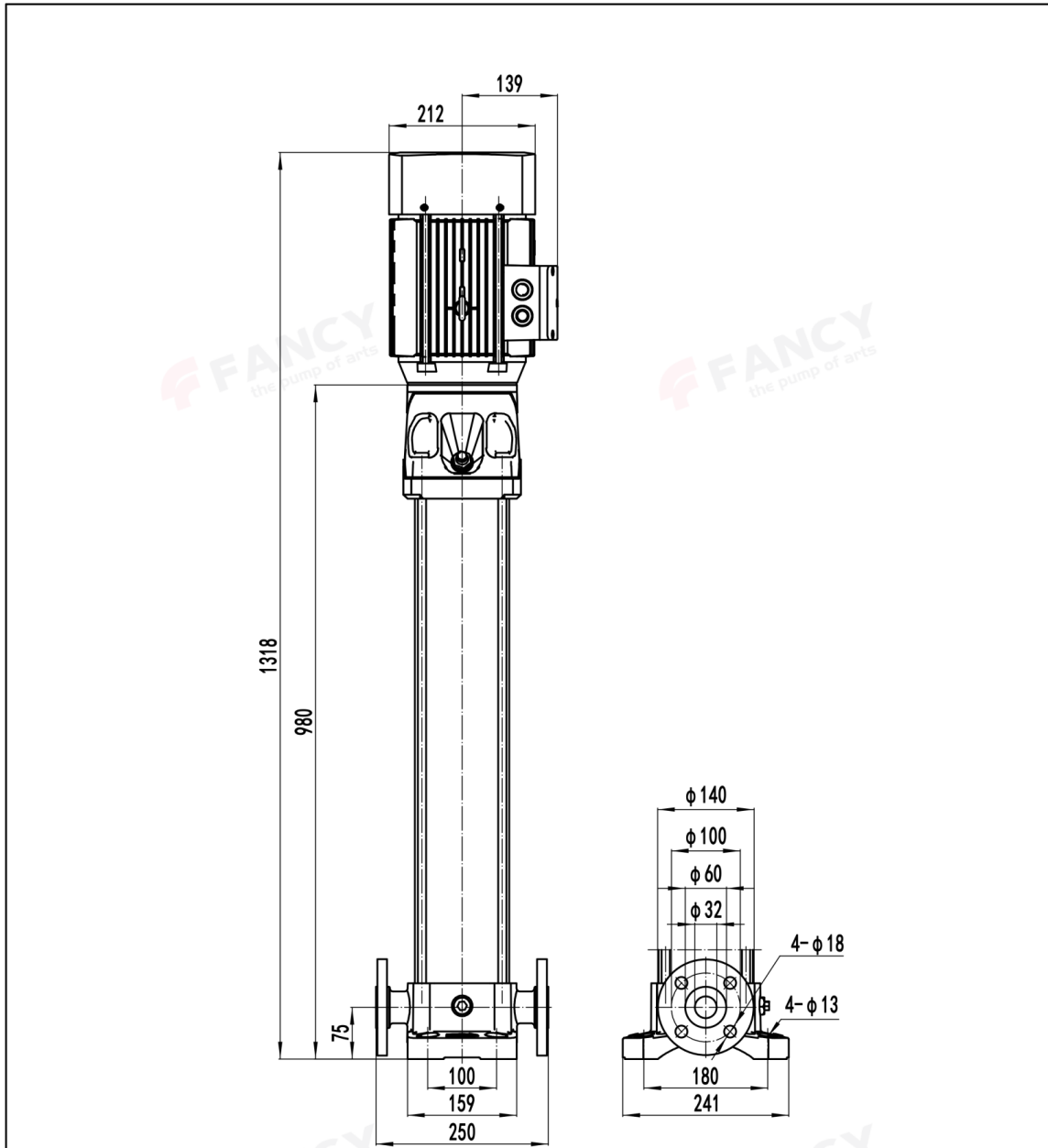
Rated parameters	
Pump model	CDM5-27
Part NO.	CDM5-27
Rated flow	5 m ³ /h
Rated head	168 m
Rated efficiency (%)	69
Power (kW)	3.25
NPSHr (m)	1.6
Speed (rpm)	2900
Max impeller diameter (mm)	82
Medium	
Pumped medium	Clean water
Working temperature (°C)	
Medium density (kg/m ³)	1000
Viscosity (mm ² /s)	1



Manufacturer	FANCY PUMP(ZHEJIANG) Co., LTD
Address	Wanchang Road, Wenling City, Zhejiang
Contact	+86 13566667995
Date	2025/03/26
Client Name	
Client Addr.	
Contacts	
Contact	

Project Name

Item NO

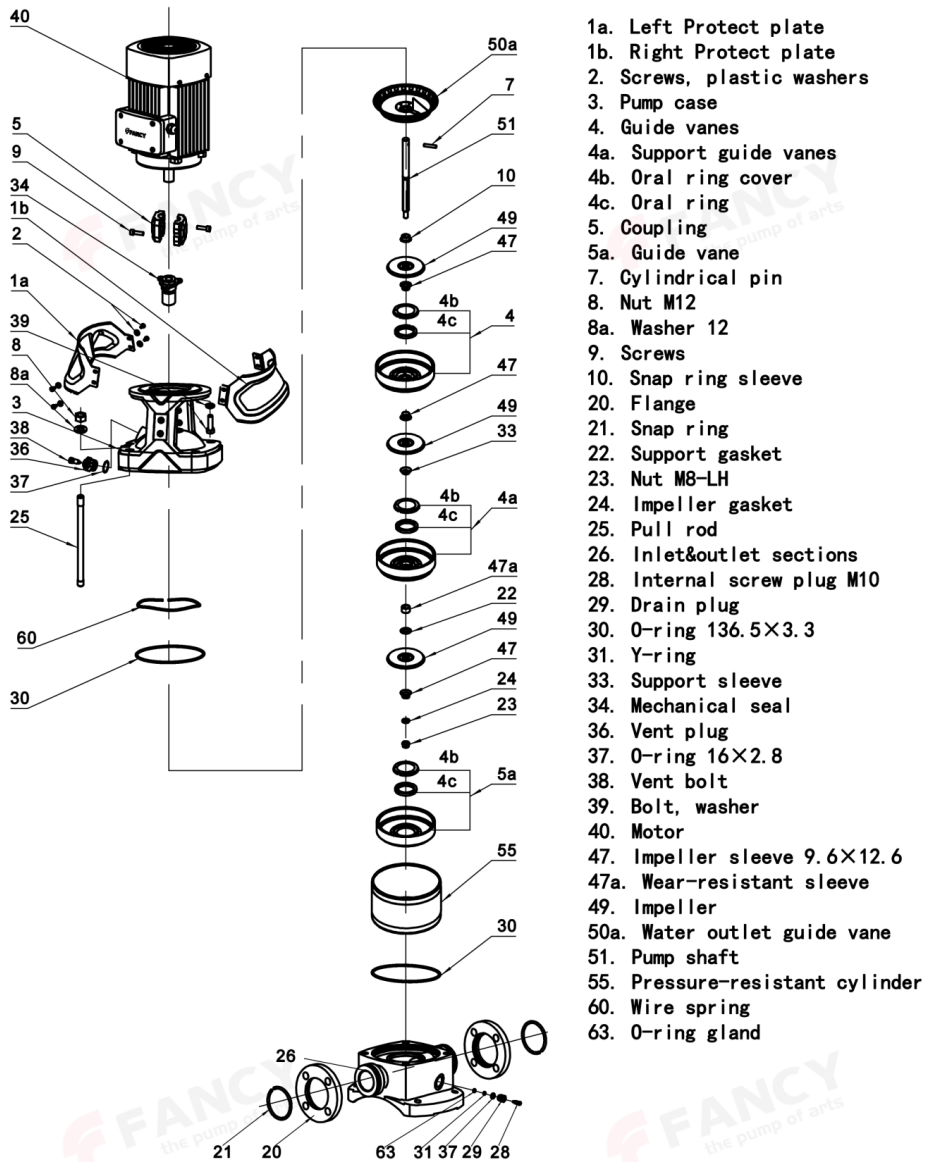


						FANCY the pump of arts		
						Installation dimension Установочный размер		
						CDM5-27		
Mark	Places	Section	Mod.file no.	Signature	yy/mm/dd	Stage mark	Weight	Scale
Design			Standard.					
Verify								
Craft			Approve			Total: 1 pages page: 1		

Manufacturer	FANCY PUMP(ZHEJIANG) Co., LTD
Address	Wanchang Road, Wenling City, Zhejiang
Contact	+86 13566667995
Date	2025/03/26
Client Name	
Client Addr.	
Contacts	
Contact	

Project Name

Item NO



CDM1, 3, 5

Physical picture
CDM5-27

Manufacturer	FANCY PUMP(ZHEJIANG) Co., LTD
Address	Wanchang Road, Wenling City, Zhejiang
Contact	+86 13566667995
Date	2025/03/26
Client Name	
Client Addr.	
Contacts	
Contact	

Project Name

Item NO





Order Data
CDM5-27

Manufacturer	FANCY PUMP(ZHEJIANG) Co., LTD
Address	Wanchang Road, Wenling City, Zhejiang
Contact	+86 13566667995
Date	2025/03/26
Client Name	
Client Addr.	
Contacts	
Contact	

Project Name	
Item NO	

Pump model CDM5-27
Part NO. CDM5-27
Product price
Quantity 1
Total price

